



USB 2.0 REPEATER CABLE



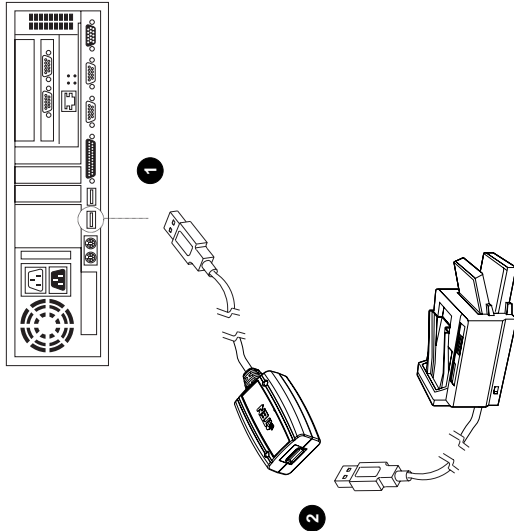
SPECIFICATIONS

Function	Specification
Power Supply	Bus Powered
Cable length (output)	5 m (16ft.)
Connectors	1 Type A Male 1 Type A Female
USB Specification	2.0 spec. for high, full and low
Driver Support	Native Driver Support
Operating Temperature	5° - 40° C
Storage Temperature	-20° - 60° C
Humidity	0% - 80% RH, NC
Weight	255g

INSTALLATION

Installation is simply a matter of plugging in the cables:

1. Plug the UE-250 USB cable into the computer's USB port or a USB hub.
 2. Plug the USB peripheral into the UE-250 socket.
- That's all there is to it.



TROUBLESHOOTING

Problem	Cause	Solution
Device operates erratically	Static electricity or insufficient power may cause the device to operate erratically.	Reset the device by unplugging the cable and then plugging it back in or use external power to your linked devices.

LIMITED WARRANTY

IN NO EVENT SHALL THE DIRECT VENDOR'S LIABILITY EXCEED THE PRICE PAID FOR THE PRODUCT FROM DIRECT, INDIRECT, SPECIAL, INCIDENTAL, OR CONSEQUENTIAL DAMAGES RESULTING FROM THE USE OF THE PRODUCT, DISK, OR ITS DOCUMENTATION.

The direct vendor makes no warranty or representation, expressed, implied, or statutory with respect to the contents or use of this documentation, and especially disclaims its quality, performance, merchantability, or fitness for any particular purpose.

The direct vendor also reserves the right to revise or update the device or documentation without obligation to notify any individual or entity of such revisions, or update. For further inquiries, please contact your direct vendor.

USER MANUAL

UE-250

Read this manual thoroughly and follow the installation and operation procedures carefully to prevent any damage to the unit, and/or any of the devices connected to it.

This package contains:

- ◆ 1 UE-250 USB 2.0 Repeater Cable
- ◆ 1 User Manual

If anything is damaged or missing, contact your dealer.

© Copyright 2003 ATEN® International Co., Ltd.
Manual Part No. PAPE-1240-100
Printed in Taiwan 10/2003

All brand names and trademarks are the registered property of their respective owners.

Overview

The UE-250 USB Repeater Cable allows you to extend the distance between your computer and your USB peripherals by 5 meters (16'). Unlike typical cables, the UE-250 is an active extension cable. All USB signals transmitted through it are regenerated to maintain optimal signal integrity to meet the USB 2.0 specification.

NOTE: This equipment has been tested and found to comply with the limits for a Class B digital device pursuant to Subpart J of Part 15 of FCC Rules. These limits are designed to provide reasonable protection against harmful interference in a residential installation. This equipment generates, uses and can radiate radio frequency energy and, if not installed and used in accordance with the instructions, may cause harmful interference to radio communications. However, there is no guarantee that interference will not occur in a particular installation. If this equipment does cause harmful interference to radio or television reception, which can be determined by turning the equipment off and on, the user is encouraged to try to correct the interference by one or more of the following measures:

- Reorient or relocate the receiving antenna.
- Increase the separation between the equipment and receiver.
- Connect the equipment into an outlet on a circuit different from that which the receiver is connected.
- Consult the dealer or an experienced radio/television technician for help.



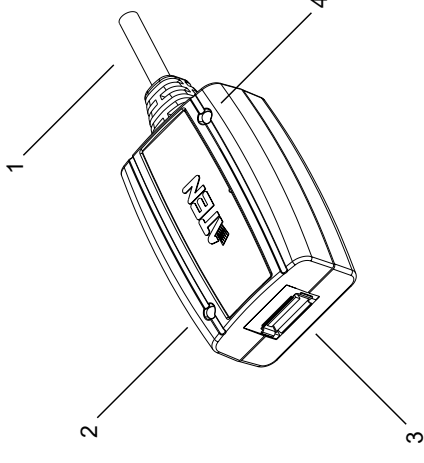
RoHS



Class B digital device
This equipment complies with FCC Rules, Part 15, Subpart J, which limits the amount of radio frequency energy that this device can emit to protect against radio interference.



Components



1. Built in cable with USB connection to USB port on PC or hub
2. LED (green) indicates USB link
3. Type A female USB port for connection from peripheral
4. LED (red) indicates overcurrent

Features

- Extends the distance to USB devices by 5 m (16')
- Embedded custom ASIC regenerates transmitted USB signals to maintain optimal signal integrity

System Requirements

- Whistler; Windows: XP, 2000, Me, 98 SE; Mac OS 8.6 or higher

Note: Only systems with a USB 2.0 driver installed can support data transfer speeds of up to 480 Mbps; all others only support speeds of up to 12 Mbps.

- USB 2.0 Host Controller installed on the system.

Note: The UE-250 can be connected to a USB 1.1 Host Controller, but in that case, it only supports USB 1.1 speeds (1.5 - 12 Mbps).