

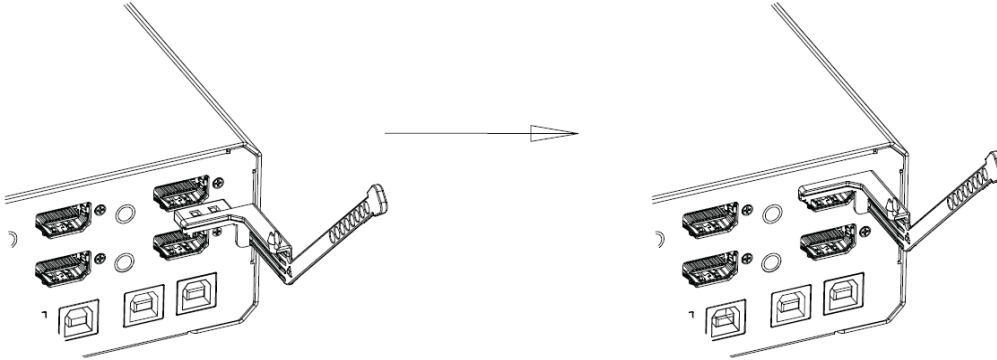
# 2X-EA17

## Combo LockPro – HDMI Cable Lock Installation Guide

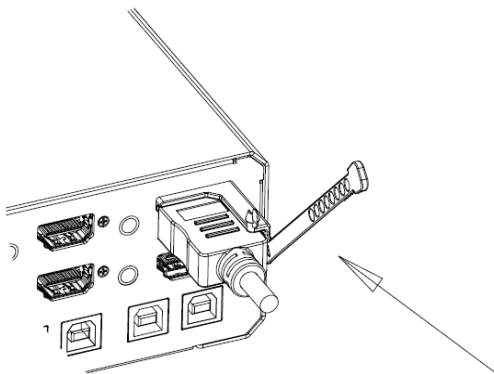
Released: 2025-08-07

The 2X-EA17 Combo LockPro is an HDMI cable lock designed to securely fasten an HDMI cable to devices featuring a DisplayPort / HDMI combo connector.

1. Insert the Combo LockPro into the DisplayPort section (upper side) of the DisplayPort / HDMI combo connector. Ensure that the Combo LockPro head is fully and securely engaged.



2. Connect the HDMI cable to the HDMI section (lower side) of the DisplayPort / HDMI combo connector. Make sure that the connection is secured and the cable is properly seated.



3. Wrap the tail of the Combo LockPro tightly around the narrowest part of the HDMI cable. Attach the tail to the head of the Combo LockPro using the buckle mechanism. Ensure the buckle snaps into place and cannot become loose.

