

USB KVM DigiProcessor

KG1900T / KG6900T / KG8900T / KG9900T

USB 4K KVM DigiProcessor

KG8950T / KG9950T

Installation Guide

Package Contents

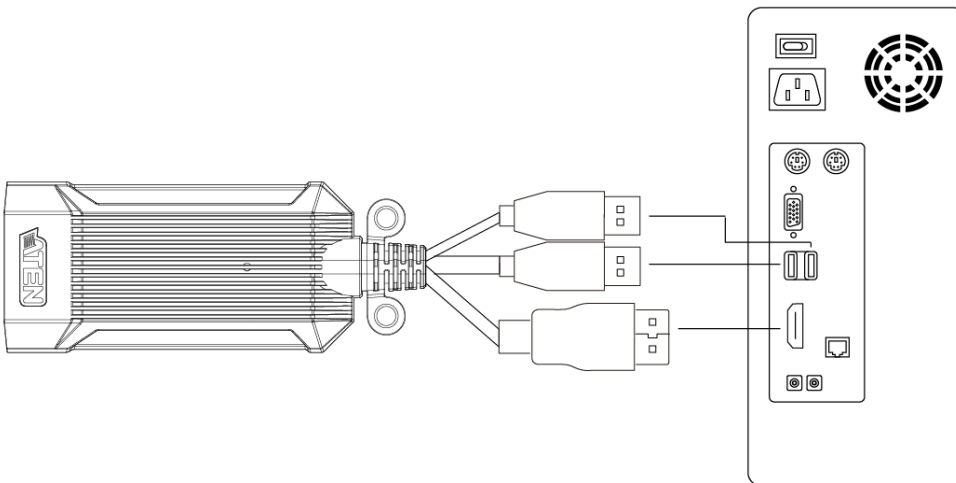
Qty	Description
1	USB KVM DigiProcessor KG1900T / KG6900T / KG8900T / KG9900T or USB 4K KVM DigiProcessor KG8950T / KG9950T
1	user instructions

Installation

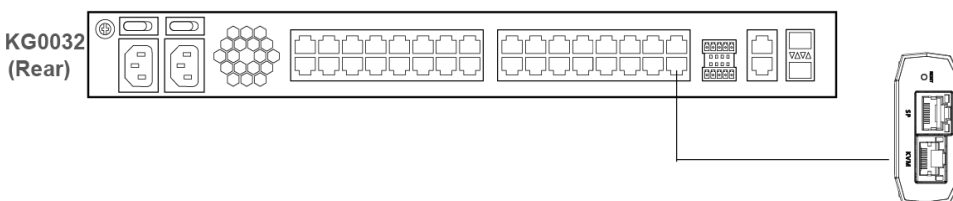
To connect a USB KVM DigiProcessor (KG1900T / KG6900T / KG8900T / KG9900T) / USB 4K KVM DigiProcessor (KG8950T / KG9950T) to a KVM over IP OmniBus Gateway (KG0016 / KG0032), follow the steps below.

Note: A KG8900T USB HDMI KVM DigiProcessor is used as an example to illustrate the procedure.

1. Connect the USB and HDMI connectors of the USB KVM DigiProcessor / USB 4K KVM DigiProcessor to the corresponding ports on the PC you are installing.



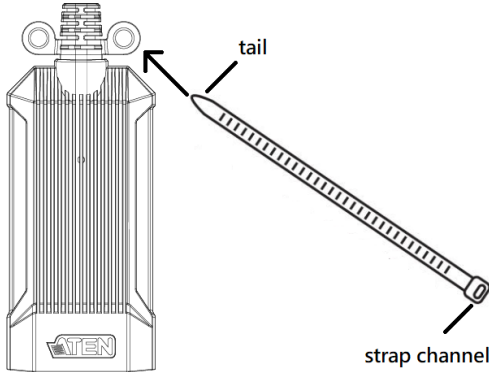
2. Connect the RJ-45 port (KVM port) of the USB KVM DigiProcessor / USB 4K KVM DigiProcessor to the KVM over IP OmniBus Gateway's (KG0016 / KG0032) KVM port via a Cat 5e/6 cable.



3. You can secure the USB KVM DigiProcessor / USB 4K KVM DigiProcessor to a rack using any of the following methods.

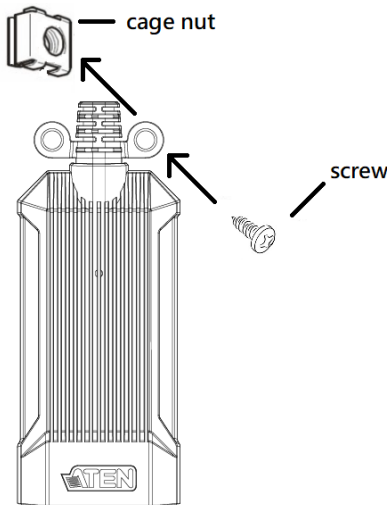
● **Securing the USB KVM DigiProcessor / USB 4K KVM DigiProcessor using a cable tie**

Use a self-prepared cable tie, insert the tail through the SR mounting hanger, connect the tail to the strap channel and then tighten the strap to a rack.



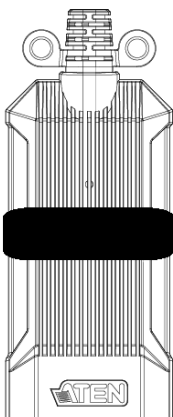
● **Securing the USB KVM DigiProcessor / USB 4K KVM DigiProcessor using a screw and a cage nut**

Use a self-prepared screw to screw through the SR mounting hanger to a self-prepared cage nut to secure the USB KVM DigiProcessor / USB 4K KVM DigiProcessor to a rack. Please make sure the cage nut is secured to the rack first.



● **Securing the USB KVM DigiProcessor / USB 4K KVM DigiProcessor using a magic tape**

Use a self-prepared magic tape to hold the USB KVM DigiProcessor / USB 4K KVM DigiProcessor to a rack.



Operation

For KG8950T and KG9950T only.

- If you do not need to use the Smart Card / CAC function, the USB 4K KVM DigiProcessor can be powered by a single black USB Type-A connector when it is connected to a USB 3.0 port on the PC you are installing.
- If you find the power is insufficient, connect the purple USB Type-A connector to another USB port on the PC you are installing.
- If you need to use the Smart Card / CAC function, you are required to connect the purple USB Type-A connector to a USB port on the PC you are installing.

Compliance Statements

FEDERAL COMMUNICATIONS COMMISSION INTERFERENCE STATEMENT

This equipment has been tested and found to comply with the limits for a Class A digital device, pursuant to Part 15 of the FCC Rules. These limits are designed to provide reasonable protection against harmful interference when the equipment is operated in a commercial environment. This equipment generates, uses, and can radiate radio frequency energy and, if not installed and used in accordance with the instruction manual, may cause harmful interference to radio communications. Operation of this equipment in a residential area is likely to cause harmful interference in which case the user will be required to correct the interference at his own expense.

The device complies with Part 15 of the FCC Rules. Operation is subject to the following two conditions: (1) this device may not cause harmful interference, and (2) this device must accept any interference received, including interference that may cause undesired operation.

FCC Caution

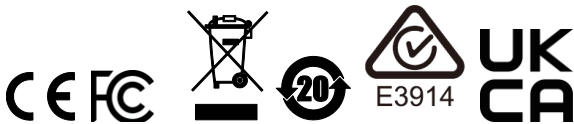
Any changes or modifications not expressly approved by the party responsible for compliance could void the user's authority to operate this equipment.

Warning

Operation of this equipment in a residential environment could cause radio interference.

Achtung

Der Gebrauch dieses Geräts in Wohnumgebung kann Funkstörungen verursachen.



KCC Statement

유선 제품용 / A 급 기기 (업무용 방송 통신 기기)
이 기기는 업무용 (A 급) 전자파적합기기로서 판매자 또는 사용자는 이
점을 주의하시기 바라며, 가정 외의 지역에서 사용하는 것을 목적으로
합니다.

Industry Canada Statement

This Class A digital apparatus complies with Canadian ICES-003.

CAN ICES-003 (A) / NMB-003 (A)

HDMI Trademark Statement

The terms HDMI, HDMI High-Definition Multimedia Interface, and the HDMI Logo are trademarks or registered trademarks of HDMI Licensing Administrator, Inc.

