

# USB True 4K HDMI Cat 6 KVM Extender

## CE801

CE801 is an extender kit that allows for sharp, life-like True 4K (3840 x 2160 @ 60 Hz 4:4:4) HDMI, RS-232, and USB transmission across 70 m over one single Cat 6 cable. Dual console USB Keyboard / Mouse operation is enabled by the USB control mode pushbutton switching USB console control privilege between the remote and local units. RS-232 extension capability facilitates uninterrupted communication between serial-interfaced devices and equipment, which are crucial in industrial control systems.

CE801 is ideal for medium to large scale applications where incredibly sharp and detailed visualization, multi-signal extension, and privileged USB control via local / remote console are essential, including control centers, retail shops, factories, medical facilities, and home theaters.



HDMI™  
HIGH-DEFINITION MULTIMEDIA INTERFACE



4K  
TRUE



HDR



A/V In  
HDMI



A/V Out  
HDMI



Console  
USB

RS-232  
Channel



HDCP 2.3



Rack  
Mountable

Long Reach  
Mode



Dual Console with  
Privileged Control

CE801L



CE801R



Front View



CE801L

CE801R

Rear View



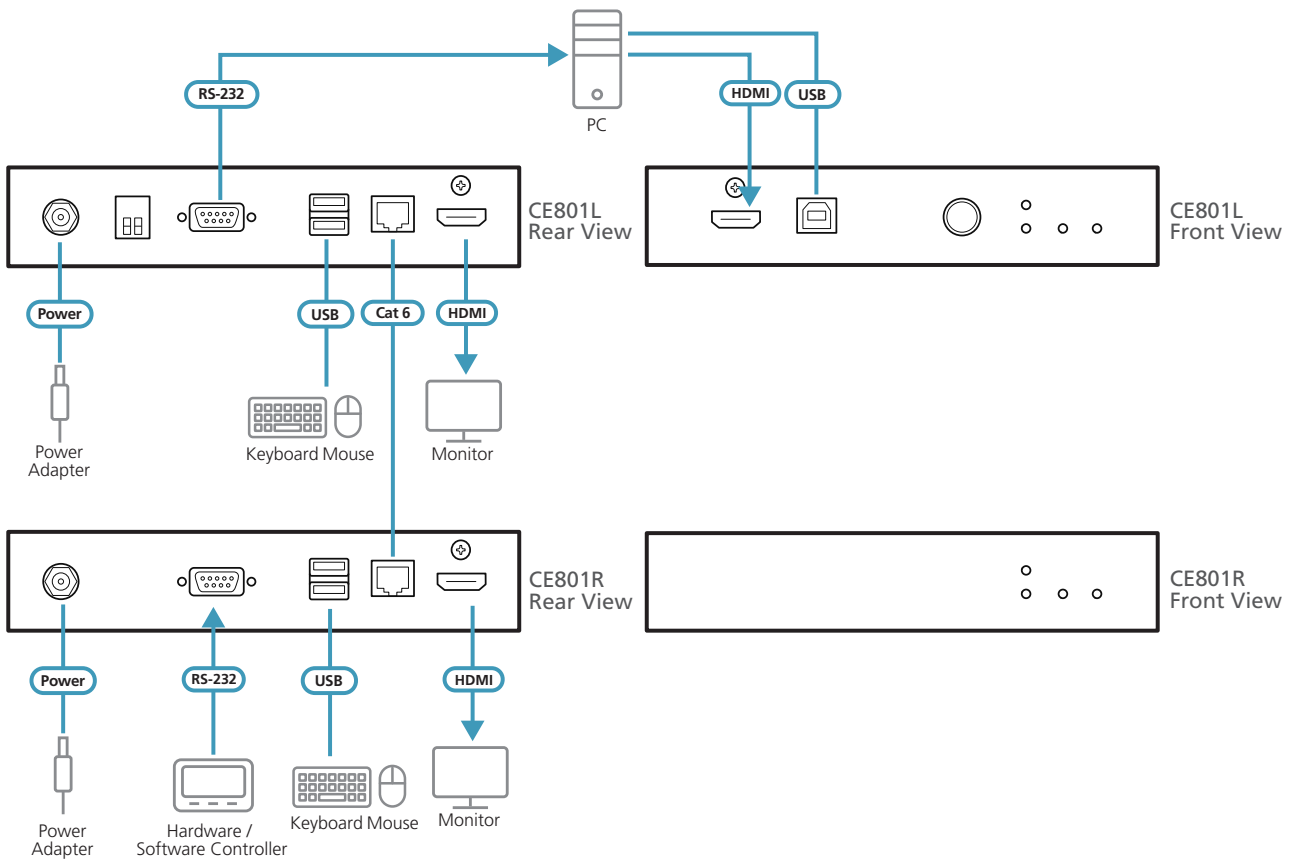
CE801L

CE801R

## Features

- Extends HDMI video, USB keyboard/mouse control, embedded audio, and RS-232 control signals across 70 m over a Cat 6 cable\*
- Long reach mode – 1080p extension up to 100 m
- Supports resolutions up to 3840 x 2160 @ 60 Hz (4:4:4) with HDCP 2.2 / 2.3 compliance
- Dual console USB keyboard / mouse operation - control privilege between the remote and local units switchable via USB control mode pushbutton
- Supports HDR 10 for enhanced video quality
- Supports wide screen format
- Supports digital audio formats such as 7.1ch Dolby and DTS audio
- Plug-and-play with no software or driver required
- Built-in 8KV/15KV ESD protection
- Rack-mountable
- DC Jack with screw-lock ensures stable and secure connection

**Note:** To ensure stable operation and adequate protection against electromagnetic interference (EMI), shielded twisted-pair (STP) cables shall be used, and the unit shall be properly grounded.



## Specifications

	CE801L	CE801R
<b>Connectors</b>		
Console Ports	1 x HDMI Female (Black) 2 x USB Type A Female (White)* * For Keyboard & Mouse only	
KVM Ports	1 x HDMI (Female, Black) 1 x USB Type B (Female, White)	N/A
RS-232	DB-9 Female (Black)	DB-9 Male (Black)
Power	1 x DC Jack (Black)	
Unit To Unit	1 x RJ-45 Female (Black)	
<b>Video</b>		
Compliance	HDMI (4K/60Hz); 4K HDR HDCP2.3 Compatible	
Max. Resolution	Up to 3840 x 2160 @ 60 Hz (4:4:4)	
Max. Resolutions / Distance	4K x 2K @ 60Hz (4:4:4) up to 70m (Cat 6/6a /ATEN 2L-29330 Cat 6A cable) 1920 x 1080 @ 60Hz (4:4:4) up to 100m (Cat 6/6a/ATEN 2L-29330 Cat 6A cable with Long reach mode enabled) * For stable operation, STP cables shall be used, and the unit shall be properly grounded.	
<b>LEDs</b>		
Power	1 (Green)	1 (Green)
Link	1 (Orange)	1 (Orange)
Video	N/A	1 (Orange)
Console Status	2 (Orange)	1 (Orange)
<b>Switches</b>		
DIP	1 x 2 pin	N/A
<b>Pushbuttons</b>		
Operating Mode Selection	1 x Pushbutton	N/A
<b>Power Consumption</b>	DC5V:2.59W	DC5V:1.88W
<b>Environmental</b>		
Operating Temperature	0 – 40°C	
Storage Temperature	-20 – 60°C	
Humidity	0 – 80% RH, Non-condensing	
<b>Physical Properties</b>		
Housing	Metal	
Weight	0.32 kg	0.31 kg
Dimensions (L x W x H)	12.80 x 8.21 x 2.50 cm	12.80 x 8.15 x 2.50 cm

### ATEN International Co., Ltd.

3 F., No. 125, Sec. 2, Datong Rd., Xizhi Dist., New Taipei City 221, Taiwan  
 Phone: 886-2-8692-6789 Fax: 886-2-8692-6767  
 www.aten.com E-mail: marketing@aten.com

Product information is subject to change without prior notice.

Released: 02/2026 V3.0

© Copyright 2026 ATEN® International Co. Ltd.  
 ATEN and the ATEN logo are registered trademarks of ATEN International Co., Ltd.  
 All rights reserved. All other trademarks are the property of their respective owners.  
 The terms HDMI, HDMI High-Definition Multimedia Interface, HDMI trade dress and the  
 HDMI Logos are trademarks or registered trademarks of HDMI Licensing Administrator, Inc.

