

# 1-Local/Remote Share Access Single Port DVI KVM over IP Switch

## CN9600

The CN9600 DVI KVM over IP Switch is a cost-efficient over-IP device, which allows remote access of digital video, audio and virtual media via remote control of a PC or workstation. The CN9600 enables over-IP capability by connecting compatible ATEN DVI KVM switch and/or LCD console, such as the CS1768 (8-Port USB DVI/Audio KVM Switch) or the CL3800 (DVI LCD Console).

The CN9600 expands on previous models by providing a more compact, slimmer space-saving design for utility optimization, and a FPGA graphics processor that offers better image and video quality to enhance user experience, while also meeting the RS-232 DTE/DCE standards for serial control.

For user-friendly operation, a mini USB port on the front panel is designed as a Laptop USB Console (LUC) port. Users just simply connect a laptop to the LUC port, and can access any computer connected to the switch for easy on-site management. That means no additional monitor, keyboard and mouse is strongly required locally for routine maintenance. Besides, the CN9600's Virtual Media function allows a user to perform diagnostic testing, file transfers, or apply OS/applications updates and patches from a remote console.

To ensure seamless connectivity, the CN9600 is equipped with dual LAN and dual power functionality to keep operation in the server room smooth and efficient. The CN9600 also supports microphone and speakers on the local and remote console.

Integrating all these advanced functionalities, the CN9600 provides an affordable and durable over-IP server management solution while assuring users with operational dependability and efficiency.

Front View



Rear View



## Features

### Hardware

- Compact and slim design for space utility optimization
- Provides a FPGA graphics processor for better image quality and enhanced fps (frames per second) throughput for crisp video display response
- Provides over-IP capability to DVI KVM switches that do not have built-in over-IP functionality<sup>1</sup>
- Local console provides USB keyboard and mouse support
- A mini USB port on the front panel serves as a Laptop USB Console (LUC) port
- Two 10/100/1000 Mbps NICs for redundant LAN or two IP operation
- Dual Power Supply for power backup
- Supports multiplatform server environments: Windows, Mac, Sun, Linux and VT100 based serial devices
- Virtual Media support<sup>2</sup>
- High video resolution – up to 1920 x 1200 @ 60Hz for both local and remote consoles
- Audio support – microphone and speakers are supported on the local and remote console

### Note:

1. Compatible KVM Switch: ATEN DVI Single Link KVM Switches
2. Some of the CN9600's features may not be supported, depending on the functionality of the cascaded KVM switch. (For example, some switches do not support virtual media.)

### Management

- Complies to the RS-232 DTE/DCE standards for serial control
- Up to 64 user accounts – up to 32 users can simultaneously share control\*
- Console access right management
- End session feature – administrators can terminate running sessions
- Event logging and Windows-based Log Server support
- Event Logging – the CN9600 can record all events that take place on it and write them to a searchable database
- Supports instant notification of critical system events via email, SNMP trap and Syslog
- Firmware upgradable via remote access
- Access the CN9600 via a built-in serial viewer, or via third-party software (such as PuTTY) for Telnet and SSH sessions
- Out of Band support – access the CN9600 through its serial port using a dial-up connection
- Port Share Mode allows multiple users to gain access to a server simultaneously
- Local/Remote Share Mode conveniently grants shared or exclusive console privilege
- Integration with ATEN CC2000 Management Software
- Integration with ATEN CCVSR Video Session Recording Software
- Supports ATEN KVM over IP Console Station (KA8270 / KA8280 / KA8278 / KA8288)
- DDNS – allows mapping of a dynamic IP address assigned by a DHCP server to a host name
- Supports export/import of user account and configuration settings
- Supports permission-controlled browser operation
- Supports IPv6

### Easy-to-Use Interface

- Browser-based and AP GUIs offer a unified multilanguage interface to minimize user training time and increase productivity
- Multiplatform client support (Windows, Mac OS X, Linux, Sun)
- Multibrowser support (IE, Mozilla, Firefox, Safari, Opera, Netscape)
- Browser-based UI in pure Web technology allows administrators to perform administrative tasks without pre-installed Java software package requirements
- Full-screen or sizable and scalable Virtual Remote Desktop
- Magic Panel with configurable function for quick launch

### Advanced Security

- External authentication support: RADIUS, LDAP, LDAPS and MS Active Directory
- Supports TLS 1.2 data encryption and RSA 2048-bit certificates to secure users logging in from browsers
- Flexible encryption design allows users to choose any combination of 56-bit DES, 168-bit 3DES, 256-bit AES, 128-bit RC4 or Random for independent keyboard/mouse, video, and virtual media data encryption
- Supports IP/MAC Filter
- Supports password protection
- Private CA

### Virtual Media

- Virtual media enables file applications, OS patching, software installation and diagnostic testing
- Works with USB-enabled servers at OS and BIOS level
- Supports USB 1.1 and USB 2.0 DVD/CD drives, USB mass storage devices, PC hard drives, folders and ISO images

### Virtual Remote Desktop

- Video quality and video tolerance can be adjusted to optimize data transfer speed; monochrome color depth, threshold and noise settings can be adjusted for compression of the data bandwidth in low bandwidth situations
- Full-screen video display or scalable video display
- Message Board for communication among remote users
- On-screen keyboard with multilanguage support
- Mouse DynaSync™ – automatically synchronizes the local and remote mouse movements
- Supports Exit Macros
- BIOS-level access

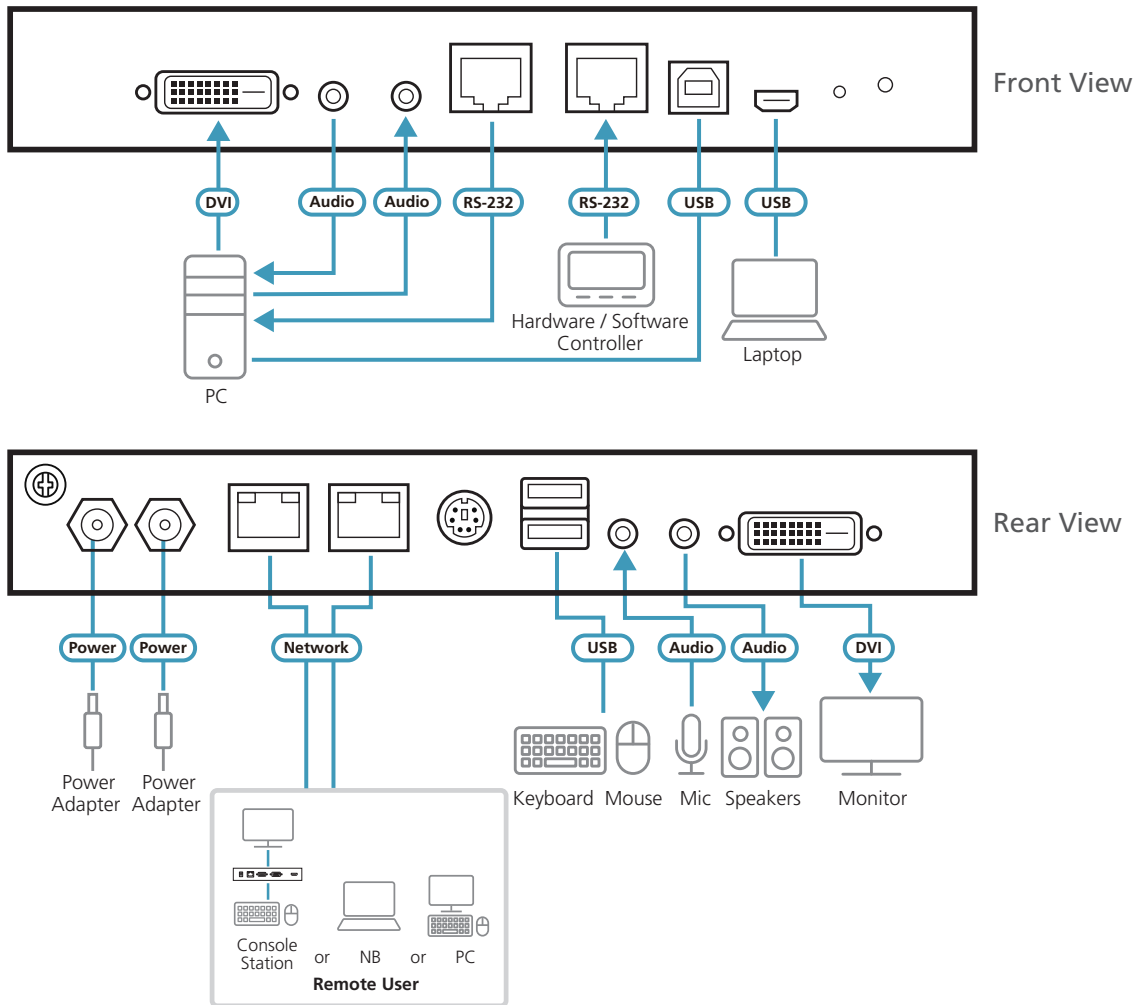
**Note:** As more users connect to the device, the bandwidth allocated to each user decreases.

## Highlights

<p><b>Enhanced System Availability</b></p>	<p><b>Dual Gigabit LAN (10/100/1000 Mbps) ports/Dual power</b> The Dual LAN/Dual Power supply operation provides backup/redundancy, and reliability. Should one of the IPs or one of the power supplies becomes unavailable, a backup takes over in order to keep the system functioning normally. The CN9600 has two power input sockets to allow a second power supply to be connected as a fail-safe.</p> <p><b>Modem dial-in/dial-back/dial-out support for OOB</b> This function provides backup for networking connectivity and ensures high system reliability and availability.</p>
<p><b>Audio Support</b></p>	<p>Microphone and speakers are supported by both local and remote consoles.</p>
<p><b>Advanced Security External Authentication Support</b></p>	<p>In addition to its own security protection, the CN9600 allows you to set up login authentication and authorization management from external sources, such as RADIUS, LDAP, LDAPS and MS Active Directory.</p>
<p><b>Virtual Media</b></p>	<p>Virtual Media support lets you map DVD/CD-ROMs and other storage media to a remote server. This function allows you to conduct file transfers, application and OS patches, and diagnostic tests remotely.</p>
<p><b>Smart Card /CAC Reader Support</b></p>	<p>This function allows a smart card reader that is plugged into a local client computer's USB port to be redirected, and appear as if it were plugged into the remote server. One purpose of smart cards (Common Access Cards, for example) is to allow authentication to the remote server from the local client.</p>

**Virtual Remote Desktop**

The remote desktop can appear in full screen or as a window with a flexible, scalable video display. Advanced features such as the Message Board, Mouse DynaSync™, Virtual Media, and Keyboard Pass Through, create a Virtual Remote Desktop that allows users to operate servers from remote locations as if they were actually at the local site.



## Specifications

CN9600	
<b>Connectors</b>	
Console Ports	2 x USB Type A Female (White)
	1 x DVI-D Female (White)
	1 x 3.5mm Audio Jack Female (Green)
	1 x 3.5mm Audio Jack Female (Pink)
KVM Ports	1 x USB Type B Female (White)
	1 x DVI-D Female (White)
	1 x 3.5mm Audio Jack Female (Green)
	1 x 3.5mm Audio Jack Female (Pink)
LAN Ports	2 x RJ-45 Female
Virtual Media	1 x USB Mini-B Female
Power	2 x DC Jack
Serial Port	2 x RJ-45 Female
Control Port	1 x PS/2 Female
<b>Switches</b>	
Reset	1 x Semi-recessed pushbutton (Black)
<b>Emulation</b>	
Keyboard/Mouse	USB
<b>LEDs</b>	
Power	1 (Green)
<b>Video</b>	Local console - 1920 x 1200 @ 60Hz Remote - 1920 x 1200 @ 60Hz
<b>Power Consumption</b>	DC 5V: 5.55W: 30BTU
<b>Environmental</b>	
Operating Temperature	0 – 50 °C (CN9600) 0 – 40 °C (Power Adapter)
Storage Temperature	-20 – 60 °C
Humidity	0 – 80% RH, Non-condensing
<b>Physical Properties</b>	
Housing	Metal
Weight	0.84 kg
Dimensions (L x W x H)	20.00 x 15.49 x 2.85 cm

### ATEN International Co., Ltd.

3F., No.125, Sec. 2, Datung Rd., Sijhih District., New Taipei City 221, Taiwan  
 Phone: 886-2-8692-6789 Fax: 886-2-8692-6767  
 www.aten.com E-mail: marketing@aten.com

Product information is subject to change without prior notice.

Released: 04/2025 V2.0

© Copyright 2025 ATEN® International Co. Ltd.  
 ATEN and the ATEN logo are registered trademarks of ATEN International Co., Ltd.  
 All rights reserved. All other trademarks are the property of their respective owners.

