

# 2-Port USB 3.0 4K DisplayPort Dual Display KVMP™ Switch for ATC

CS1942ATC

The ATEN CS1942ATC 2-Port USB 3.0 4K DisplayPort Dual Display KVMP™ Switch for ATC is tailor-made for Air Traffic Control scenarios. It supports 2Kx2K resolution, making it perfect for radar monitoring, and also enables constant monitoring of flight information and mission-critical processes. Incorporating dual display capability, users can enjoy a wider screen and easy switch between the two DisplayPort systems.

The Zero-Second Switch function ensures nearly real-time switching without any black screens, providing air traffic controllers instant access to two USB / DisplayPort-interfaced dual display ATC computers for crucial operations. Port switching is flexible via pushbuttons, hotkeys, mouse, RS-232 commands, or an optional accessory the remote port selector.

With two lockable DC jacks for power redundancy, the CS1942ATC ensures uninterrupted operation and constant availability for mission-critical applications. It aims to greatly minimize or eliminate the risk of downtime. Patented ATEN technology – Video DynaSync™, and EDID expert™, combined with DisplayPort 1.2 and video resolutions up to 4K @ 60 Hz, it delivers optimized display resolution with exceptional detail and clarity in all conditions.

The CS1942ATC creates a safer environment and enhanced operational efficiency for Air traffic Control Towers, Approach Control Rooms, and Area Control Centers, specifically tailored the air traffic control industry.



Front View



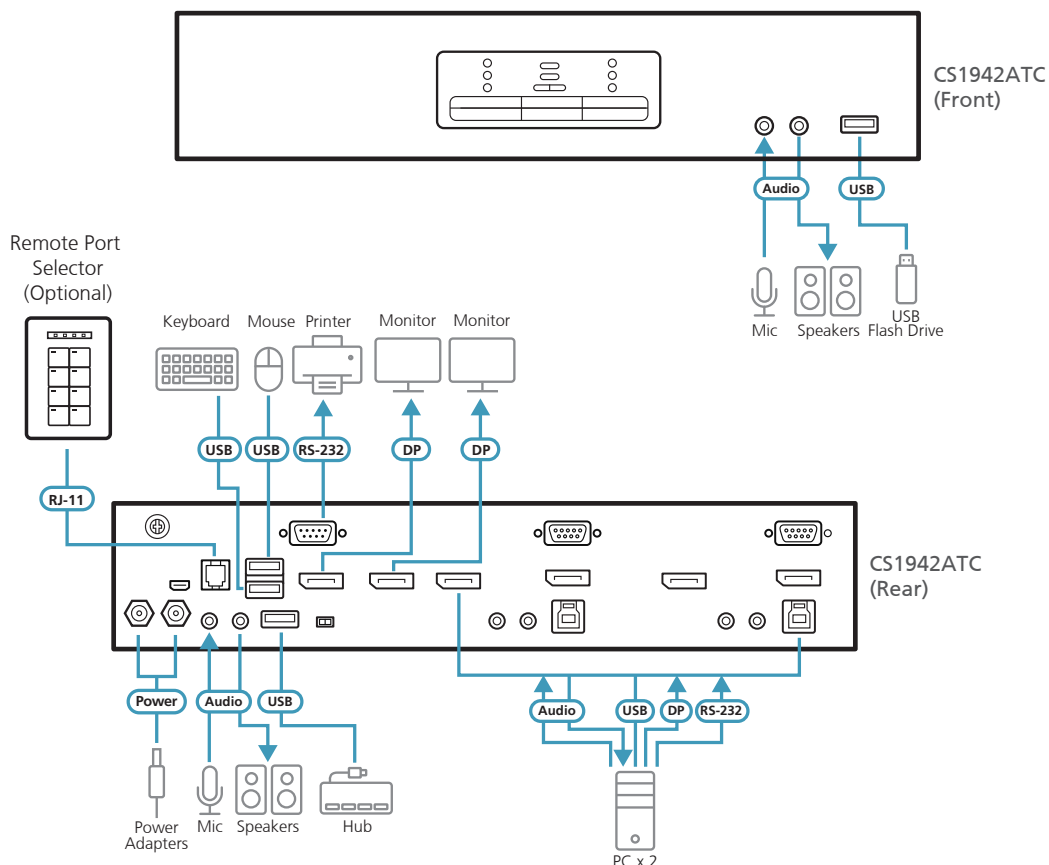
Rear View



## Features

- One USB / DisplayPort console controls 2 DisplayPort computers and shares 2 USB peripherals
- Supports 2048 x 2048 @ 60 Hz screen resolutions dedicated for radar monitoring; maximum resolution up to 4096 x 2160 @ 60 Hz
- Zero-Second Switch – provides continuous video stream and real-time switching
- Supports power failover – 2 lockable DC jacks for power redundancy to ensure constant availability for mission-critical applications
- Supports serial port switching for legacy devices, maintaining compatibility with existing device interfaces
- Computer Selection via front panel pushbuttons, hotkeys, mouse, RS-232 commands, and remote port selector
- Video DynaSync™ – exclusive ATEN technology eliminates boot-up display problems and optimizes resolutions when switching between ports
- EDID Expert™ – smooth power-up, high-quality display and use of the best video resolution across different screens
- Built-in 2-port USB 3.1 Gen 1 hub with SuperSpeed 5 Gbps data transfer rates
- DisplayPort 1.2, and HDCP compliant
- Supports HD audio\*
- Console mouse port emulation / bypass feature supports most mouse drivers and multifunction mice
- Console keyboard emulation / bypass feature supports most multimedia keyboards
- Multilingual keyboard mapping – supports English, French, Japanese, and German keyboards
- Power on detection
- Auto scan
- Firmware upgradable

**Note:** HD audio through DisplayPort cannot be switched independently



## Specifications

	CS1942ATC
<b>Computer Connections</b>	2
<b>Port Selection</b>	Hotkeys, Pushbutton, Mouse, RS232 commands, Remote Port Selector
<b>Connectors</b>	
Console Ports	2 x USB Type-A Female (Black) 2 x DisplayPort Female (Black) 2 x 3.5mm Stereo Jack Female (Green; 1 x front, 1 x rear) 2 x 3.5mm Stereo Jack Female (Pink; 1 x front, 1 x rear) 1 x DB-9 Male
KVM (Computer) Ports	2 x USB3.1 Gen1 Type-B Female (Blue) 4 x DisplayPort Female (Black) 2 x 3.5mm Audio Jack Female (Green) 2 x 3.5mm Audio Jack Female (Pink) 2 x DB-9 Female
Power	2 x lockable DC Jack
USB Hub	2 x USB3.1 Gen1 Type-A Female (Blue; 1 x front panel; 1 x rear panel)
Remote Port Selector	1 x RJ-11 Female
Firmware Upgrade	1 x micro USB Female
<b>Switches</b>	
Selected	3 x Pushbutton
<b>LEDs</b>	
USB Link	2 (Green)
Audio	2 (Green)
KVM	2 (Orange)
<b>Emulation</b>	
Keyboard / Mouse	USB
<b>Video</b>	Up to 4096 x 2160 @ 60 Hz
<b>Power Consumption</b>	DC 12 V:17.8 W
<b>Environmental</b>	
Operating Temperature	0 – 50 °C
Storage Temperature	-20 – 60 °C
Humidity	0 – 80% RH, Non-condensing
<b>Physical Properties</b>	
Housing	Metal
Weight	1.88 kg
Dimensions (L x W x H)	33.50 x 16.10 x 6.55 cm

### ATEN International Co., Ltd.

3F., No.125, Sec. 2, Datung Rd., Sijhih District., New Taipei City 221, Taiwan  
Phone: 886-2-8692-6789 Fax: 886-2-8692-6767  
www.aten.com E-mail: marketing@aten.com

Product information is subject to change without prior notice.

Released: 11/2024 V2.0

© Copyright 2024 ATEN® International Co. Ltd.  
ATEN and the ATEN logo are registered trademarks of ATEN International Co., Ltd.  
All rights reserved. All other trademarks are the property of their respective owners.

