

4K Quad-Display KVM over IP Multi-View Receiver

KE8980MR

The ATEN KE8980MR is a high-performance KVM over IP Multi-View receiver specifically engineered to empower operators in demanding, mission-critical control room environments. It supports quad-display output (2 HDMI and 2 DisplayPort), each capable of 4096 x 2160 @ 60Hz, providing an expansive and detailed operational view.

To maximize operational agility, the KE8980MR features two powerful modes tailored for mission-critical workflows. In Multi-view mode, it can display and control up to 16 video sources across up to 4 screens simultaneously, using flexible layouts, optimizing situational awareness and workflow efficiency. In Operation mode, it delivers ultra-low latency control with real-time Panel Array monitoring, instant one-click Push and Pull content sharing, and flexible source access through a Virtual Transmitter that streams video, audio, USB, and serial independently.

Seamlessly bridging physical and virtual resources, the KE8980MR offers native support for RDP and VNC protocols. This allows for direct, hardware-free access to virtual machines hosted on VMware®, Microsoft®, and Citrix™ platforms, alongside flexible switching to traditional KE Transmitters. The system's ultra-low latency operation ensures real-time interaction and immediate visual feedback, which is paramount for critical decision-making. Furthermore, its operation mode enables the monitoring of up to 108 screens, offering extensive scalability for large-scale operations.

The KE8980MR integrates seamlessly with ATEN's KE/KX transmitter series and the KVM over IP Matrix Manager (CCKM), offering flexible deployment options including point-to-point, point-to-multipoint, and multipoint-to-multipoint configurations. It also supports operator session recording when paired with ATEN's CCVSR (Control Center Video Session Recording) system, capturing a comprehensive record of user activity.

The KE8980MR is the ideal solution for extending high-resolution KVM control from multiple sources over IP across significant distances. The KE8980MR delivers seamless connectivity and centralized management, making it an indispensable solution for mission-critical control centers, collaborative conference rooms, and large-scale digital signage networks with multi-monitor configurations.



Front View



Rear View



Features

Advanced Features¹

- Provides versatile viewing and control modes: Multi-view mode and Operation mode
 - For Multi-view mode:**
 - Multi-view console controls up to 16 video sources on one screen with display modes
 - Workspace: Allows saving multiple configuration profiles and switching screen layouts and connection states across four displays via hotkeys
 - Connection List Panel: Includes source preview functionality and supports intuitive drag-and-drop to assign sources freely
 - For Operation mode:**
 - Features ultra-low latency operation, enabling simultaneous monitoring of up to 108 screens
 - "Push" and "Pull" — shares content instantly to / from a single Rx or video wall by just one click
 - Virtual transmitter — independently streams video, audio, USB, and serial sources from different Tx
- Virtual Machine connectivity: VMware®, Microsoft®, and Citrix™ by using RDP and VNC
- Easily switching to any Virtual Machine or KE Transmitter
- Boundless Switching MX™ — allowing real-time switching between systems simply by moving the mouse freely across displays and windows
- Flexible connections — allows multiple extender and matrix connections for multi-display installations
- Advanced Scheduling — improves efficiency and saves costs by allowing media playback to be set based on time and date
- Internal and external authentication support — supports LDAP, Active Directory, RADIUS and TACACS+ external authentications
- Advanced User Authorization Settings — administrators can set four access modes of permissions on Tx devices for collaboration or to avoid interference among users
- Configurable user and group permissions for access and control of KVM over IP extenders
- Rx access control — users at the Tx local console can enable / disable Rx access by simply pressing a control button

Note: These advanced functions are supported when the KE transmitters are paired with KE receivers and managed by CCKM.

Hardware

- Features a purpose-designed architecture that combines high performance with energy efficiency — delivering advanced functionality while minimizing power usage
- Optimized power-performance balance — providing enterprise-grade functionality with reduced energy demands
- The housing meets IEC 60945 standards for maritime control room use and has passed environmental tests
- Supports Quad-Display Output — 2 HDMI and 2 DisplayPort outputs, each resolution up to 4096 x 2160 @ 60Hz
- Network failover — 2 RJ-45 ports for network failover to ensure constant availability for mission-critical applications
- DisplayPort 1.2 compliant
- High speed USB Storage Transmission support
- Auto-MDIX — automatically detects cable type
- Built-in 8KV/15KV ESD protection and 1KV surge protection

Management

- Centralized management software — KVM over IP Matrix Manager (CCKM) allows users to easily administrator all KE devices with an intuitive web-based GUI
- Supports recording of remotely-accessed computer operations using CCVSR
- OSD (On Screen Display) on the Receiver configures both units
- EDID Expert™ — selects optimum EDID settings for smooth power-up and highest quality display
- Four selectable access modes for multiple simultaneous access (Exclusive/ Occupy/ Share/ View only mode) – administrators can select access modes of permissions on Tx devices to boost collaboration or to avoid interference among users
- RS-232 serial port — allow users to connect to a serial terminal for TextMenu, or serial devices such as touch screens and barcode scanners
- Supports Hotkey Commands
- Video Compression Level — allow users to increase / decrease the video quality to adjust for appropriate network bandwidth

Security

- Dedicated LAN port for KE direct connections — can be isolated from the corporate network
- Supports industry standard Transport Layer Security (TLS) protocol

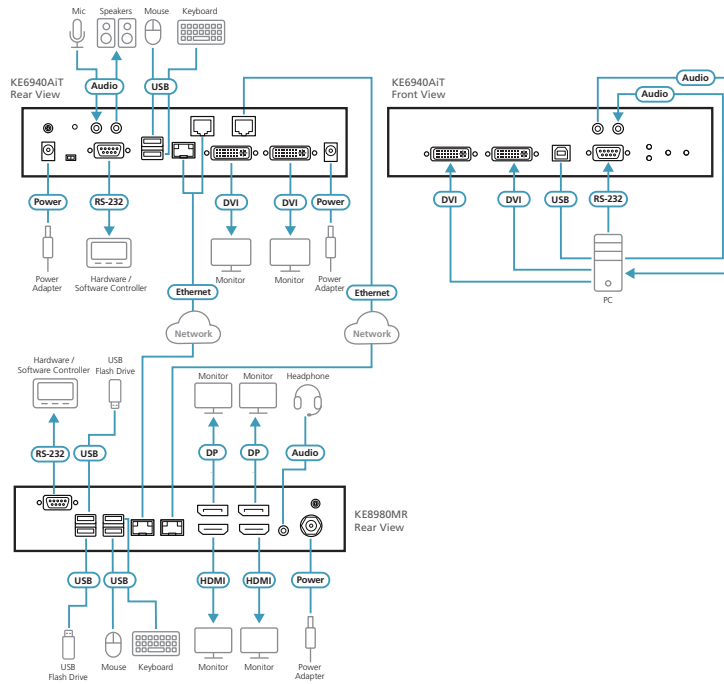
Virtual Media

- USB storage transmission mode enhances data transmission performance, ideally for file transfers, OS patching, software installations and diagnostic testing
- Supports USB 2.0 DVD / CD drives, USB mass storage devices, PC hard drives and ISO images
- Supports smart card / CAC reader

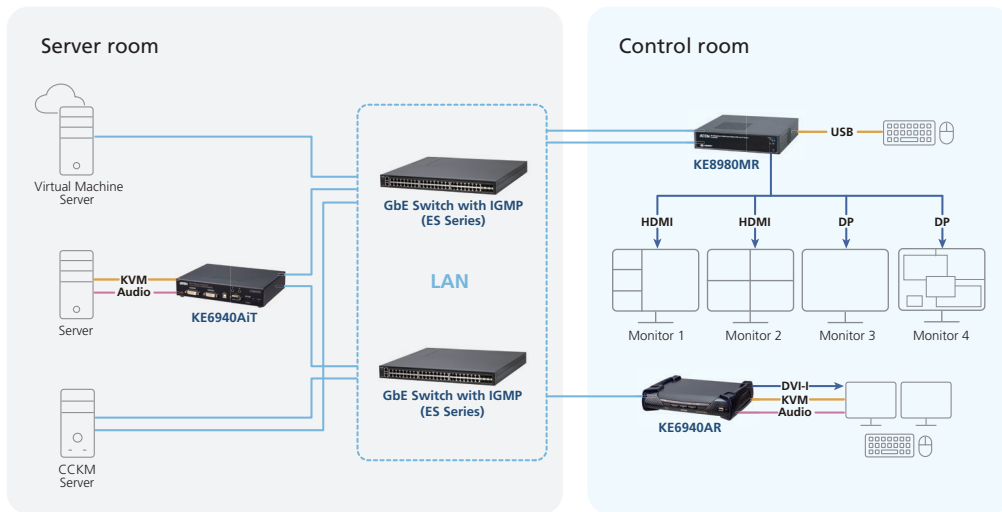
Highlights

<p>Over IP Extension</p>	<p>Extends a computer’s KVM console any distance over a LAN by connecting the Tx and Rx units to the same network. Extends a computer’s KVM console up to 100 meters by directly connecting the Tx and Rx units with a single Cat 5e / 6 cable. Standard IP protocols ensure maximum compatibility with your existing IT infrastructure and staff skill set.</p>
<p>Versatile Viewing & Control Modes</p>	<p>Designed for high-performance control environments, the KE8980MR delivers both multi-view mode for real-time monitoring of up to 16 sources with customizable layouts, and operation mode for seamless, low-latency interaction across multiple displays. Operators benefit from instant Push/Pull content sharing and advanced Virtual Transmitter support for flexible resource access.</p>
<p>Superior Video Quality</p>	<p>Quad-display output (2 HDMI + 2 DisplayPort) supports up to 4096 x 2160 @ 60Hz, powered by an advanced graphics engine for sharp, vivid images regardless of distance.</p>
<p>Reliability and Energy Efficiency</p>	<p>The KE8980MR features dual RJ-45 ports for network failover, ensuring uninterrupted connectivity in the event of a link failure. At the same time, it delivers high performance with low power consumption, enabling efficient long-term operation without compromising system responsiveness or reliability.</p>
<p>Boundless Switching MX™</p>	<p>Enables real-time switching by simply moving the mouse across displays and windows – ideal for rapid response in mission-critical scenarios. Integrated video wall support enhances collaboration and situational awareness.</p>
<p>Advanced Management</p>	<p>The KE8980MR works seamlessly with CCKM to simplify setup and management, while integration with CCVSR enables secure session recording and playback for audits and troubleshooting.</p>
<p>Flexibility</p>	<p>The KVM over IP extender allows users to access, share, and switch full control of Tx-connected computers – from any Rx (KVM console) over the network. It flexibly allows point-to-point, point-to-multipoint, multipoint-to-point, or multipoint-to-multipoint computer to KVM console connections.</p>

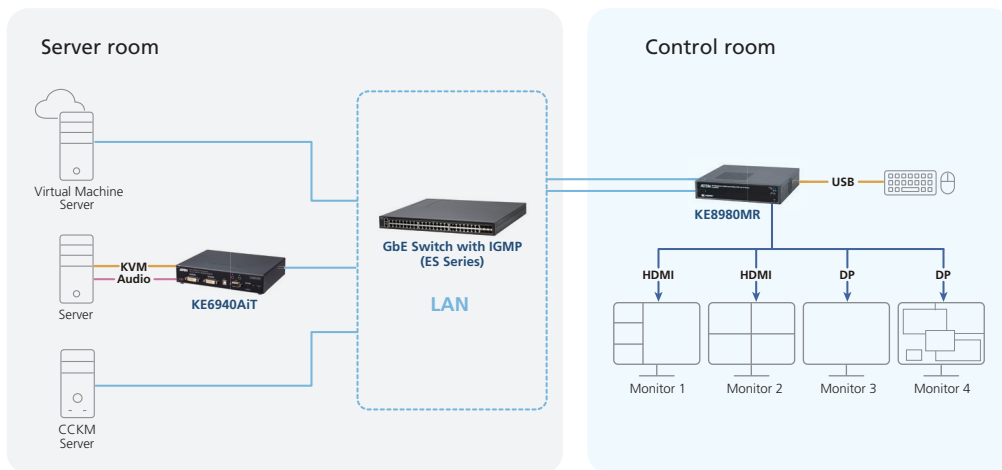
KE8980MR Diagram



Scenario Diagram



Scenario Diagram - Multi-view mode only



● Video ● KVM / USB ● Audio ● Network

Specifications

KE8980MR	
Connectors	
USB Port	2 x USB Type A Female (Blue)
Console Ports	2 x USB Type A Female (Blue) 2 x DisplayPort Female (Black) 2 x HDMI Female (Black) 1 x Audio line out/in Jack (Black) 1 x DB-9 Male (Black)
Power	1 x Lockable DC Jack (Black)
LAN Ports	2 x RJ-45 (Blue)
Pushbuttons	
Pushbuttons	1 x Power (Black) 1 x Reset (Black)
LEDs	
Power	1 (Blue)
Storage	1 (Orange)
Emulation	
Keyboard / Mouse	USB
Power Consumption	DC 19 V:33 W
Video Resolution	Up to four 4096 x 2160 @ 60Hz
Latency	Operation mode: 5ms ~ 48ms Multi-view mode: < 48ms
Environmental	
Operating Temperature	-10 – 50 °C
Storage Temperature	-40 – 85 °C
Humidity	10 – 90% RH, Non-condensing
Physical Properties	
Housing	Metal
Weight	1.34kg
Dimensions (L x W x H)	20.00 x 19.00 x 4.18 cm

ATEN International Co., Ltd.

3F., No.125, Sec. 2, Datung Rd., Sijhih District., New Taipei City 221, Taiwan
Phone: 886-2-8692-6789 Fax: 886-2-8692-6767
www.aten.com E-mail: marketing@aten.com

Product information is subject to change without prior notice.

Released: 02/2026 V3.0

© Copyright 2026 ATEN® International Co. Ltd.
ATEN and the ATEN logo are registered trademarks of ATEN International Co., Ltd.
All rights reserved. All other trademarks are the property of their respective owners. The terms HDMI, HDMI High-Definition Multimedia Interface, HDMI trade dress and the HDMI Logos are trademarks or registered trademarks of HDMI Licensing Administrator, Inc.

