

# 2/4-Port USB 5K USB DisplayPort/HDMI Single/Dual Display Universal Secure KVM Switch Series

## PSD PP v4.0 Universal Secure KVM Switch Series

ATEN PSD PP v4.0 Universal Secure KVM Switches are specifically designed to meet the stringent security requirement of secure defense and intelligence installations. ATEN PSD PP v4.0 Universal Secure KVM Switches are compliant with PSD PP v4.0 (Protection Profile for Peripheral Sharing Device, Version 4.0) standard certified by the National Information Assurance Partnership (NIAP).

ATEN PSD PP v4.0 Universal Secure KVM Switches provide isolation between computer sources and peripherals while sharing a single keyboard, mouse, monitor, speaker set, and Common Access Card (CAC) reader between connected computers of various security classifications. Compliance with PSD PP v4.0 ensures peripheral sharing capabilities provide maximum user data security when switching port focus, preventing unauthorized data flows or leakage between connected sources. Key protections include isolation and unidirectional data flow, restricted peripheral connectivity and filtering, user data protection, configurable device filtration and management, strict audio filtration, and always-on tamper-proof design, keeping sensitive assets isolated and providing advanced security and a user friendly design for instantly secure deployment.

To fulfill different customer demands, ATEN PSD PP v4.0 Universal Secure KVM Switches offer a wide range of options, including 2-port and 4-port, CAC and Non-CAC models, and support for DisplayPort or HDMI interfaces through a single combo connector. ATEN PSD PP v4.0 Universal Secure KVM Switches also provide customers with the flexibility to connect single or dual displays, providing superior video quality up to 5K (5120 x 2880 @ 60Hz)<sup>1</sup>. 5K resolution provides greater screen real estate and sharper detail, allowing users to view multiple classified sessions, monitoring dashboards, or data-intensive applications side by side with uncompromised clarity. This enhanced visual precision helps minimize task-switching and potential errors, improving both operational accuracy and overall productivity in mission-critical or security-conscious workplaces.

To enhance security, ATEN PSD PP v4.0 Universal Secure KVM Switches only offer manual switching methods including front panel pushbuttons and Remote Port Selector (RPS)<sup>2</sup>. With multi-layered security, ATEN PSD PP v4.0 Universal Secure KVM Switches ensure high-level desktop security and data safekeeping for applications such as government and military agencies, healthcare providers, banking & finance institutions, and other organizations that often handle sensitive or confidential data on separate networks.

**Note:**

1. Supports video output resolutions up to 5120 x 2880 @ 60Hz, 5120 x 2160 @ 60Hz, 5120 x 1440 @ 60Hz/120Hz/144Hz, 3840 x 2160 @ 60Hz/120Hz/144Hz.
2. The Remote Port Selector is not supplied in the package and requires a separate purchase.



CS1142DPH4 Front View



CS1142DPH4 Rear View



CS1144DPH4 Front View



CS1144DPH4 Rear View



CS1182DPH4C Front View



CS1182DPH4C Rear View



CS1184DPH4C Front View



CS1184DPH4C Rear View



**Note:** This datasheet uses CS1142DPH4, CS1144DPH4, CS1182DPH4C, and CS1184DPH4C to demonstrate each port number (2/4-Port), CAC support (yes / no), and number of displays (single / dual) supported by the ATEN Universal Secure KVM Switch series.

## Features

- Compliant with PSD PP v4.0 (Protection Profile for Peripheral Sharing Device, Version 4.0) security requirements
- DisplayPort / HDMI combo connectors support DisplayPort and HDMI video interfaces (both PC and Console sides)
- Superior ultra-high video quality – up to 5K (5120 x 2880 @ 60Hz)<sup>1</sup>
- Configurable Port LED color and Port Name Labels – easier identification between ports connected to different security classification levels
- Port selection via pushbuttons / Remote Port Selector (RPS)<sup>2</sup> only to enhance security
- Video DynaSync™ – exclusive ATEN technology eliminates boot-up display problems and optimizes resolutions when switching among different sources
- LED indicators for peripheral filtering and KVM security status.
- Supports enable/disable CAC function<sup>3</sup> by port
- Supports analog audio (speaker only)<sup>4</sup> via isolated audio paths
- Supports DisplayPort (or HDMI) embedded digital audio
- Compact size, rugged metal enclosure

**Note:**

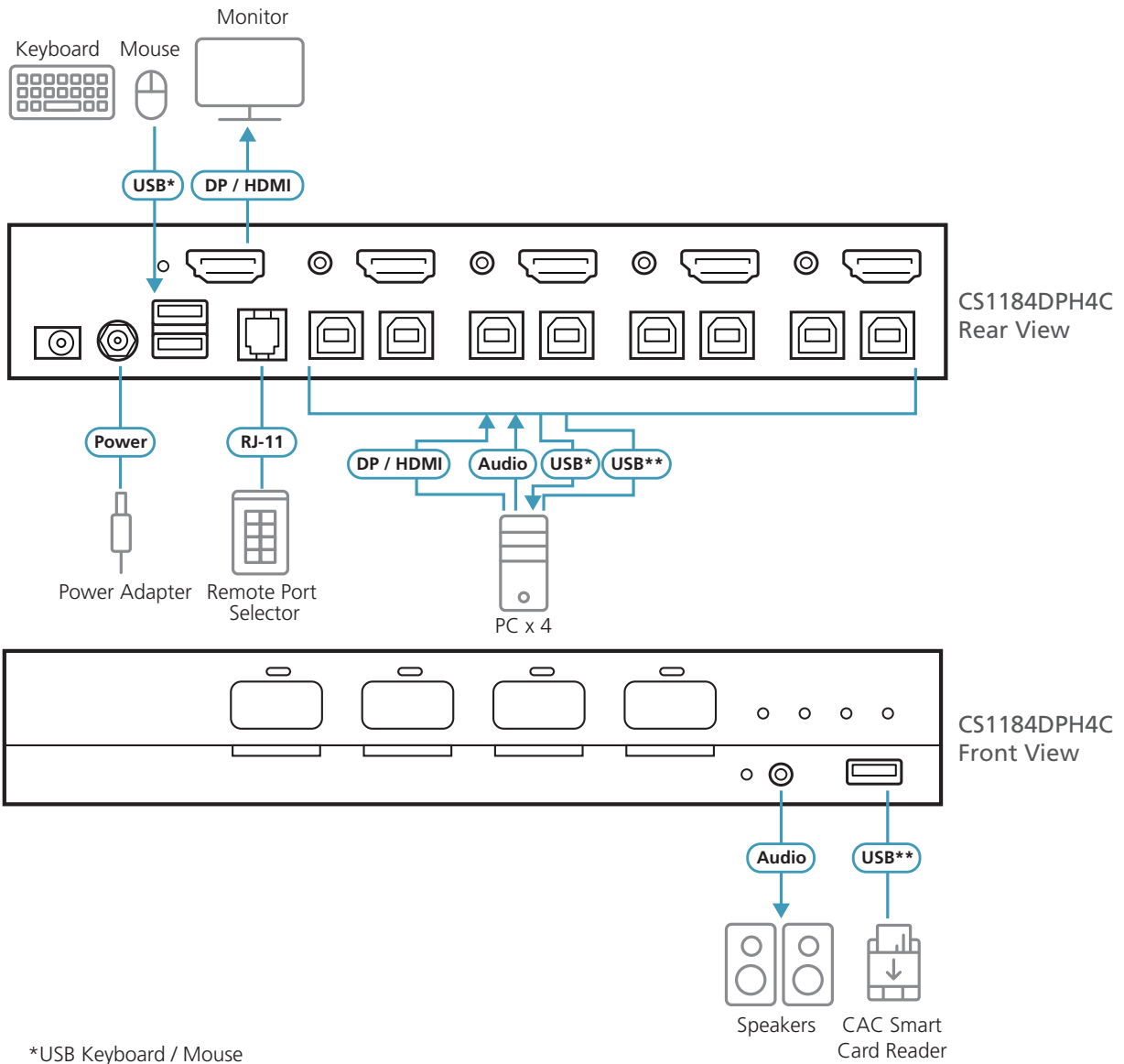
1. Supports video output resolutions up to 5120 x 2880 @ 60Hz, 5120 x 2160 @ 60Hz, 5120 x 1440 @ 60Hz/120Hz/144Hz, 3840 x 2160 @ 60Hz/120Hz/144Hz
2. The Remote Port Selector is not supplied in the package and requires a separate purchase
3. Not all models support CAC function
4. Only analog speaker data input is supported

## Highlights

|                                                            |                                                                                                                                                                                                                                                                                                                                                                                                                                                                                                                                                                                                                                                                                                                                                                                                                                                                                                                                                                                                                                                                                                                                 |
|------------------------------------------------------------|---------------------------------------------------------------------------------------------------------------------------------------------------------------------------------------------------------------------------------------------------------------------------------------------------------------------------------------------------------------------------------------------------------------------------------------------------------------------------------------------------------------------------------------------------------------------------------------------------------------------------------------------------------------------------------------------------------------------------------------------------------------------------------------------------------------------------------------------------------------------------------------------------------------------------------------------------------------------------------------------------------------------------------------------------------------------------------------------------------------------------------|
| <b>NIAP Common Criteria Compliant</b>                      | <ul style="list-style-type: none"> <li>• Compliant with PSD PP v4.0 (Protection Profile for Peripheral Sharing Device, Version 4.0) security requirements</li> <li>• Listed in the NATO NIAPC Product Registry</li> </ul>                                                                                                                                                                                                                                                                                                                                                                                                                                                                                                                                                                                                                                                                                                                                                                                                                                                                                                       |
| <b>Multi-Layered Security</b>                              | <ul style="list-style-type: none"> <li>• Always-on chassis intrusion detection – renders the ATEN PSD PP v4.0 Universal Secure KVM Switch series inoperable when physical tampering is detected</li> <li>• Tamper-evident labels – provides visual indication of any attempt to access the ATEN PSD PP v4.0 Universal Secure KVM Switch's internal components</li> <li>• Non-reprogrammable firmware – prevents reprogramming the ATEN PSD PP v4.0 Universal Secure KVM Switch's firmware</li> <li>• Restricted peripheral connectivity – non-authorized HID's (Human Interface Devices), video, or authentication device connections are rejected</li> <li>• Port selection via pushbuttons / Remote Port Selector (RPS)<sup>1</sup> only to enhance security</li> <li>• Configurable Port LED color and Port Name Labels – easier identification between ports connected to different security classification levels.</li> <li>• LED indicators for peripheral filtering and KVM security status</li> <li>• Strict audio filtration protects against audio leakage</li> <li>• Compact size, rugged metal enclosure</li> </ul> |
| <b>Data Channel Isolation and Unidirectional Data Flow</b> | <ul style="list-style-type: none"> <li>• True data path isolation – data cannot be transferred between computers</li> <li>• The ATEN PSD PP v4.0 Universal Secure KVM Switch controls and isolates data flow between the console devices and connected computers</li> <li>• Unidirectional data flow between console devices and the selected computer is ensured</li> <li>• Supports analog audio (speaker only)<sup>2</sup> via isolated audio paths</li> <li>• Supports DisplayPort (or HDMI) embedded digital audio</li> </ul>                                                                                                                                                                                                                                                                                                                                                                                                                                                                                                                                                                                              |
| <b>User Data Protection</b>                                | <ul style="list-style-type: none"> <li>• The ATEN PSD PP v4.0 Universal Secure KVM Switch's keyboard/mouse data is automatically deleted after transmission and automatically purged when the KVM port focus is switched</li> </ul>                                                                                                                                                                                                                                                                                                                                                                                                                                                                                                                                                                                                                                                                                                                                                                                                                                                                                             |
| <b>Security Management</b>                                 | <ul style="list-style-type: none"> <li>• Supports administrative configuration of CAC Port<sup>3</sup> filtering to accept or reject specific USB authentication devices</li> <li>• Supports administrative configuration of keyboard / mouse ports filtering to reject specific USB HID devices</li> <li>• Provides administrative functions for authorized administrators to audit KVM log data</li> <li>• Supports enable / disable CAC function<sup>3</sup> by port</li> </ul>                                                                                                                                                                                                                                                                                                                                                                                                                                                                                                                                                                                                                                              |
| <b>Superior Video Quality and Flexible Connectivity</b>    | <ul style="list-style-type: none"> <li>• Superior video quality – up to 5K (5120 x 2880 @ 60Hz)<sup>4</sup></li> <li>• DisplayPort / HDMI combo connectors support DisplayPort and HDMI video interfaces (both PC and Console sides)</li> <li>• Video DynaSync™ – exclusive ATEN technology eliminates boot-up display problems and optimizes resolutions when switching among different sources</li> </ul>                                                                                                                                                                                                                                                                                                                                                                                                                                                                                                                                                                                                                                                                                                                     |

**Note:**

1. The Remote Port Selector is not supplied in the package and requires a separate purchase.
2. Only analog speaker data input is supported.
3. Not all models support CAC function.
4. Supports video output resolutions up to 5120 x 2880 @ 60Hz, 5120 x 2160 @ 60Hz, 5120 x 1440 @ 60Hz/120Hz/144Hz, 3840 x 2160 @ 60Hz/120Hz/144Hz.



## Specifications

|                                   | CS1182DPH4C                                                                                                            | CS1184DPH4C                                                                                        | CS1142DPH4C                                                                                                   | CS1144DPH4C                                                                                        |
|-----------------------------------|------------------------------------------------------------------------------------------------------------------------|----------------------------------------------------------------------------------------------------|---------------------------------------------------------------------------------------------------------------|----------------------------------------------------------------------------------------------------|
| <b>Computer Connections</b>       | 2                                                                                                                      | 4                                                                                                  | 2                                                                                                             | 4                                                                                                  |
| <b>Port Selection</b>             | Pushbutton, Remote Port Selector                                                                                       |                                                                                                    |                                                                                                               |                                                                                                    |
| <b>Connectors</b>                 |                                                                                                                        |                                                                                                    |                                                                                                               |                                                                                                    |
| Console Ports                     | 1 x DP/HDMI Female (Black)<br>2 x USB Type-A Female (White)<br>1 x Mini Stereo Jack Female (Green; 1 x front)          |                                                                                                    | 2 x DP/HDMI Female (Black)<br>2 x USB Type-A Female (White)<br>1 x Mini Stereo Jack Female (Green; 1 x front) |                                                                                                    |
| KVM Ports                         | 2 x DP/HDMI Female (Black)<br>4 x USB Type-B Female (White)<br>2 x Mini Stereo Jack Female (Green)                     | 4 x DP/HDMI Female (Black)<br>8 x USB Type-B Female (White)<br>4 x Mini Stereo Jack Female (Green) | 4 x DP/HDMI Female (Black)<br>4 x USB Type-B Female (White)<br>2 x Mini Stereo Jack Female (Green)            | 8 x DP/HDMI Female (Black)<br>8 x USB Type-B Female (White)<br>4 x Mini Stereo Jack Female (Green) |
| Power                             | 1 x DC Jack                                                                                                            |                                                                                                    |                                                                                                               |                                                                                                    |
| USB CAC Port                      | 1 x USB Type-A Female (White; 1 x front)                                                                               |                                                                                                    |                                                                                                               |                                                                                                    |
| Remote Port Selector              | 1 x RJ-11 (Black; 1 x rear)                                                                                            |                                                                                                    |                                                                                                               |                                                                                                    |
| <b>Switches</b>                   |                                                                                                                        |                                                                                                    |                                                                                                               |                                                                                                    |
| Port Selection                    | 2 x Pushbuttons                                                                                                        | 4 x Pushbuttons                                                                                    | 2 x Pushbuttons                                                                                               | 4 x Pushbuttons                                                                                    |
| Reset                             | 1 x Semi-recessed Pushbutton                                                                                           |                                                                                                    |                                                                                                               |                                                                                                    |
| Power                             | 1 x Pushbutton                                                                                                         |                                                                                                    |                                                                                                               |                                                                                                    |
| <b>LEDs</b>                       |                                                                                                                        |                                                                                                    |                                                                                                               |                                                                                                    |
| Power                             | 1 (Green)                                                                                                              |                                                                                                    |                                                                                                               |                                                                                                    |
| Online / Selected (KVM Port)      | 2 (Orange / Green)                                                                                                     | 4 (Orange / Green)                                                                                 | 2 (Orange / Green)                                                                                            | 4 (Orange / Green)                                                                                 |
| Online / Selected (CAC Port)      | 2 (Orange / Green)                                                                                                     | 4 (Orange / Green)                                                                                 | 2 (Orange / Green)                                                                                            | 4 (Orange / Green)                                                                                 |
| Video                             | 1 (Green)                                                                                                              |                                                                                                    | 2 (Green)                                                                                                     |                                                                                                    |
| Key Lock                          | 3 (Green)                                                                                                              |                                                                                                    |                                                                                                               |                                                                                                    |
| <b>Emulation</b>                  |                                                                                                                        |                                                                                                    |                                                                                                               |                                                                                                    |
| Keyboard / Mouse                  | USB                                                                                                                    |                                                                                                    |                                                                                                               |                                                                                                    |
| <b>Video</b>                      | Max. 5120 × 2880 @ 60Hz, 5120 × 2160 @ 60Hz,<br>5120 × 1440 @ 60Hz / 120Hz / 144Hz, 3840 × 2160 @ 60Hz / 120Hz / 144Hz |                                                                                                    |                                                                                                               |                                                                                                    |
| <b>Maximum Input Power Rating</b> | 100-240V~; 50-60 Hz; 1.2A                                                                                              |                                                                                                    |                                                                                                               |                                                                                                    |
| <b>Power Consumption</b>          | DC 12V:12.48W                                                                                                          | DC 12V:14.88W                                                                                      | DC 12V:19.56W                                                                                                 | DC 12V:29.16W                                                                                      |
| <b>Environmental</b>              |                                                                                                                        |                                                                                                    |                                                                                                               |                                                                                                    |
| Operating Temperature             | 0 – 40°C                                                                                                               |                                                                                                    |                                                                                                               |                                                                                                    |
| Storage Temperature               | -20 – 60°C                                                                                                             |                                                                                                    |                                                                                                               |                                                                                                    |
| Humidity                          | 0 – 80% RH, Non-condensing                                                                                             |                                                                                                    |                                                                                                               |                                                                                                    |
| <b>Physical Properties</b>        |                                                                                                                        |                                                                                                    |                                                                                                               |                                                                                                    |
| Housing                           | Metal                                                                                                                  |                                                                                                    |                                                                                                               |                                                                                                    |
| Weight                            | 1.21 kg                                                                                                                | 1.21 kg                                                                                            | 1.21 kg                                                                                                       | 1.57 kg                                                                                            |
| Dimensions (L x W x H)            | 24.50 x 14.36 x 4.30 cm                                                                                                | 24.50 x 14.36 x 4.30 cm                                                                            | 24.50 x 14.36 x 4.30 cm                                                                                       | 24.50 x 14.49 x 6.00 cm                                                                            |

## Specifications

|                                   | CS1182DPH4                                                                                                             | CS1184DPH4                                                                                         | CS1142DPH4                                                                                                    | CS1144DPH4                                                                                         |
|-----------------------------------|------------------------------------------------------------------------------------------------------------------------|----------------------------------------------------------------------------------------------------|---------------------------------------------------------------------------------------------------------------|----------------------------------------------------------------------------------------------------|
| <b>Computer Connections</b>       | 2                                                                                                                      | 4                                                                                                  | 2                                                                                                             | 4                                                                                                  |
| <b>Port Selection</b>             | Pushbutton, Remote Port Selector                                                                                       |                                                                                                    |                                                                                                               |                                                                                                    |
| <b>Connectors</b>                 |                                                                                                                        |                                                                                                    |                                                                                                               |                                                                                                    |
| Console Ports                     | 1 x DP/HDMI Female (Black)<br>2 x USB Type-A Female (White)<br>1 x Mini Stereo Jack Female (Green; 1 x front)          |                                                                                                    | 2 x DP/HDMI Female (Black)<br>2 x USB Type-A Female (White)<br>1 x Mini Stereo Jack Female (Green; 1 x front) |                                                                                                    |
| KVM Ports                         | 2 x DP/HDMI Female (Black)<br>2 x USB Type-B Female (White)<br>2 x Mini Stereo Jack Female (Green)                     | 4 x DP/HDMI Female (Black)<br>4 x USB Type-B Female (White)<br>4 x Mini Stereo Jack Female (Green) | 4 x DP/HDMI Female (Black)<br>2 x USB Type-B Female (White)<br>2 x Mini Stereo Jack Female (Green)            | 8 x DP/HDMI Female (Black)<br>4 x USB Type-B Female (White)<br>4 x Mini Stereo Jack Female (Green) |
| Power                             | 1 x DC Jack                                                                                                            |                                                                                                    |                                                                                                               |                                                                                                    |
| Remote Port Selector              | 1 x RJ-11 (Black; 1 x rear)                                                                                            |                                                                                                    |                                                                                                               |                                                                                                    |
| <b>Switches</b>                   |                                                                                                                        |                                                                                                    |                                                                                                               |                                                                                                    |
| Port Selection                    | 2 x Pushbuttons                                                                                                        | 4 x Pushbuttons                                                                                    | 2 x Pushbuttons                                                                                               | 4 x Pushbuttons                                                                                    |
| Reset                             | 1 x Semi-recessed Pushbutton                                                                                           |                                                                                                    |                                                                                                               |                                                                                                    |
| Power                             | 1 x Pushbutton                                                                                                         |                                                                                                    |                                                                                                               |                                                                                                    |
| <b>LEDs</b>                       |                                                                                                                        |                                                                                                    |                                                                                                               |                                                                                                    |
| Power                             | 1 (Green)                                                                                                              |                                                                                                    |                                                                                                               |                                                                                                    |
| Online / Selected (KVM Port)      | 2 (Orange / Green)                                                                                                     | 4 (Orange / Green)                                                                                 | 2 (Orange / Green)                                                                                            | 4 (Orange / Green)                                                                                 |
| Video                             | 1 (Green)                                                                                                              |                                                                                                    | 2 (Green)                                                                                                     |                                                                                                    |
| Key Lock                          | 3 (Green)                                                                                                              |                                                                                                    |                                                                                                               |                                                                                                    |
| <b>Emulation</b>                  |                                                                                                                        |                                                                                                    |                                                                                                               |                                                                                                    |
| Keyboard / Mouse                  | USB                                                                                                                    |                                                                                                    |                                                                                                               |                                                                                                    |
| <b>Video</b>                      | Max. 5120 x 2880 @ 60Hz, 5120 x 2160 @ 60Hz,<br>5120 x 1440 @ 60Hz / 120Hz / 144Hz, 3840 x 2160 @ 60Hz / 120Hz / 144Hz |                                                                                                    |                                                                                                               |                                                                                                    |
| <b>Maximum Input Power Rating</b> | 100-240V~; 50-60 Hz; 1.2A                                                                                              |                                                                                                    |                                                                                                               |                                                                                                    |
| <b>Power Consumption</b>          | DC 12V:12.48W                                                                                                          | DC 12V:14.88W                                                                                      | DC 12V:19.56W                                                                                                 | DC 12V:29.16W                                                                                      |
| <b>Environmental</b>              |                                                                                                                        |                                                                                                    |                                                                                                               |                                                                                                    |
| Operating Temperature             | 0 – 40°C                                                                                                               |                                                                                                    |                                                                                                               |                                                                                                    |
| Storage Temperature               | -20 – 60°C                                                                                                             |                                                                                                    |                                                                                                               |                                                                                                    |
| Humidity                          | 0 – 80% RH, Non-condensing                                                                                             |                                                                                                    |                                                                                                               |                                                                                                    |
| <b>Physical Properties</b>        |                                                                                                                        |                                                                                                    |                                                                                                               |                                                                                                    |
| Housing                           | Metal                                                                                                                  |                                                                                                    |                                                                                                               |                                                                                                    |
| Weight                            | 1.21 kg                                                                                                                | 1.21 kg                                                                                            | 1.21 kg                                                                                                       | 1.57 kg                                                                                            |
| Dimensions (L x W x H)            | 24.50 x 14.36 x 4.30 cm                                                                                                | 24.50 x 14.36 x 4.30 cm                                                                            | 24.50 x 14.36 x 4.30 cm                                                                                       | 24.50 x 14.49 x 6.00 cm                                                                            |

### ATEN International Co., Ltd.

3 F., No. 125, Sec. 2, Datong Rd., Xizhi Dist., New Taipei City 221, Taiwan  
 Phone: 886-2-8692-6789 Fax: 886-2-8692-6767  
 www.aten.com E-mail: marketing@aten.com

Product information is subject to change without prior notice.

Released: 01/2026 V2.0

© Copyright 2026 ATEN® International Co. Ltd.  
 ATEN and the ATEN logo are registered trademarks of ATEN International Co., Ltd.  
 All rights reserved. All other trademarks are the property of their respective owners.

