

# RS-232/Contact to USB Keyboard Converter

## VK211

VK211 converts RS-232 commands to full-range USB keyboard signals for remote control over PC-based devices / KVM Switches, broadening ATEN Control System / 3rd party controller applications. Besides, VK211 can recall the stored key codes and store up to 4 preset actions triggered via Contact In signals. The Learn function captures USB keyboard signals by pressing certain key combinations to ease the setup procedure and configurations.

A priority control push button is easy to spot on the panel for local operators to manage remote access, ensure operational accuracy, and handle emergencies. LEDs are built in to indicate the status of digital input signals, priority control, and power at a glance.

With the capabilities of emulating USB keyboard signals, the VK211 is perfect to provide RS-232 / Contact In interfaces for KVMs or any PC-based devices without remote control functionalities. Its compact size and non-power source design are suitable for applications such as factory production lines, control rooms, or any facility that requires automation with control system and remote secure operation without installing any software.

VK211



Front View

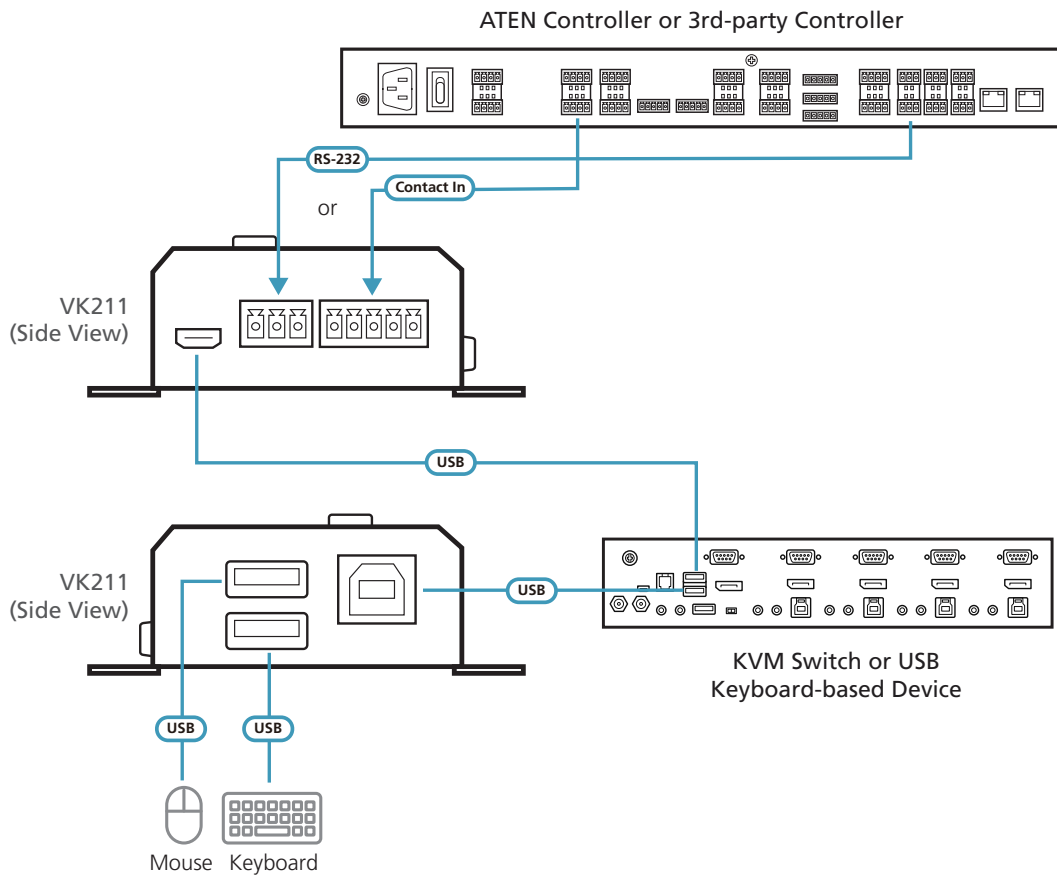


Rear View



## Features

- Converts RS-232 commands to full-range USB keyboard signals for remote control over PC-based devices / KVM Switches
- Recalls the stored key codes and allows storage of up to 4 preset actions triggered via Contact In signals
- Local USB console ports for keyboard / mouse connection
- On-panel priority control push button for local operators to manage remote access in case of emergencies
- LEDs indicate the status of digital input signals, priority control, and power at a glance
- No extra power required by utilizing the connection with USB devices
- Learn mode eases the setup procedure and configurations
- Compatible with ATEN KVMs



## Specifications

VK211	
<b>Connectors</b>	
Console Ports	2 x USB Type-A Female
Device Ports	1 x USB Type-B Female
RS-232	1 x Bi-directional RS-232 port (1 x 3-Pole Terminal Block) Baud Rate: 19200 Data Bit: 8 Stop Bit: 1 Parity: None
Contact In	4 x Contact Closure Input ports (1 x 5-Pole Terminal Block)
Power (Optional)	1 x USB Micro B Female
<b>Priority Button</b>	1 x Pushbutton Toggle switch for remote control. Hold & press for 3 seconds to enter learning mode
<b>LEDs</b>	
Contact In	4 (Green)
Power	1 (Green)
Priority	1 (Orange)
<b>Power Consumption</b>	DC5V:0.69W
<b>Environmental</b>	
Operating Temperature	0 – 50 °C
Storage Temperature	-20 – 60 °C
Humidity	0 – 80 % RH, Non-condensing
<b>Physical Properties</b>	
Housing	Metal
Weight	0.15 kg
Dimensions (L x W x H)	8.20 x 7.30 x 2.62 cm

### ATEN International Co., Ltd.

3F., No.125, Sec. 2, Datung Rd., Sijhih District., New Taipei City 221, Taiwan  
 Phone: 886-2-8692-6789 Fax: 886-2-8692-6767  
 www.aten.com E-mail: marketing@aten.com

Product information is subject to change without prior notice.

**Released: 10/2024 V3.0**

© Copyright 2023 ATEN® International Co. Ltd.  
 ATEN and the ATEN logo are registered trademarks of ATEN International Co., Ltd.  
 All rights reserved. All other trademarks are the property of their respective owners.  
 The terms HDMI, HDMI High-Definition Multimedia Interface, and the HDMI Logo are trademarks or registered trademarks of HDMI Licensing Administrator, Inc.

