

1-Local / Remote Shared Access Single Port VGA KVM over IP Switch

CN9000

The CN9000 VGA KVM over IP Switch allows remote access and control of the video, audio, and virtual media of a PC or workstation and features VGA high-definition video with resolutions of up to 1920 x 1200 @ 60 Hz at both the local and remote consoles. Equipped with USB and PS/2 (keyboard and mouse) support, CN9000 is compatible with not only modern-day workstations but also older legacy systems and servers.

For user-friendly operation, a mini USB port on the front panel is designed as a Laptop USB Console (LUC) port for connection to a laptop, which allows the user to access the PC / server for easy routine maintenance without requiring an additional monitor, keyboard, and mouse.

To ensure seamless connectivity, the CN9000 is equipped with dual LAN and dual power functionality to keep operation in the server room smooth and efficient. Its power status detection function automatically sends out event notifications when the device becomes offline (e.g. power failure) for device status monitoring. Moreover, the CN9000 features a 5-pin Relay / DI (digital input) terminal block allowing for remote reboot of the local server, and receiving digital inputs from a connected input / alarm device for notification of critical events.

For ease of remote management, the CN9000 WebClient Viewer supports remote desktop access without additional software applications. The VGA KVM over IP Switch provides a web-based GUI for remote access and management. With a unified multilanguage interface, it can effectively minimize user training time and increase productivity.



Front View



Rear View



Features

Hardware

- High video resolution — up to 1920 x 1200 @ 60 Hz
- Laptop USB Console (LUC) — a dedicated mini USB port for direct, easy console operation via a laptop
- Provides over IP capability to KVM switches without over IP functionality
- Provides an FPGA graphics processor for better image quality
- Dual power supply to ensure seamless connectivity
- Two 10 / 100 / 1000 Mbps NICs for redundant LAN or two IP operation
- Supports 5-pin Relay / DI Terminal for environment monitoring and remotely reboot control
- Supports USB and legacy PS/2 keyboard and mouse

Management

- Complies to the RS-232 standards for serial control
- Up to 64 user accounts — up to 32 users can simultaneously share control*
- Console access right management
- End session feature — administrators can terminate running sessions
- Event logging and Windows-based Log Server support
- Event logging — the CN9000 can record all events that take place on it and write them to a searchable database
- Supports instant notification of critical system events via email, SNMP trap, and Syslog
- Firmware upgradable via remote access
- Access the CN9000 via a built-in serial viewer or third-party software (such as PuTTY) for Telnet and SSH sessions
- Out of Band supports — access the CN9000 through its serial port using a dial-up connection
- Port Share Mode allows multiple users to gain access to a server simultaneously
- DDNS — allows mapping of a dynamic IP address assigned by a DHCP server to a host name
- Supports export / import of user account and configuration settings
- Supports permission-controlled browser operation
- Supports IPv6
- Integration with ATEN CC2000 Management Software
- Integration with ATEN CCVSR Video Session Recording Software

Easy-to-Use Interface

- Browser-based and AP GUIs offer a unified multi-language interface to minimize user training time and increase productivity
- Multi-platform client supports (Windows, Mac, Linux, Sun)
- Multi-browser supports (IE, Firefox, Safari, Opera, Chrome)
- Browser-based UI in pure web technology allows administrators to perform administrative tasks without pre-installed Java software package requirements
- Full-screen or sizable and scalable Virtual Remote Desktop
- Magic Panel with configurable function for quick launch

Advanced Security

- External authentication supports: RADIUS, LDAP, LDAPS and MS Active Directory
- Supports TLS 1.2 data encryption and RSA 2048-bit certificates to secure users logging in from browsers RC4 or Random for independent keyboard / mouse, video, and virtual media data encryption
- Flexible design allows users to choose any combination of encryption algorithms (e.g. 256-bit AES) or system-generated random selection for independent keyboard/mouse, video, and virtual media data encryption
- Supports IP / MAC Filter
- Supports password protection
- Private CA

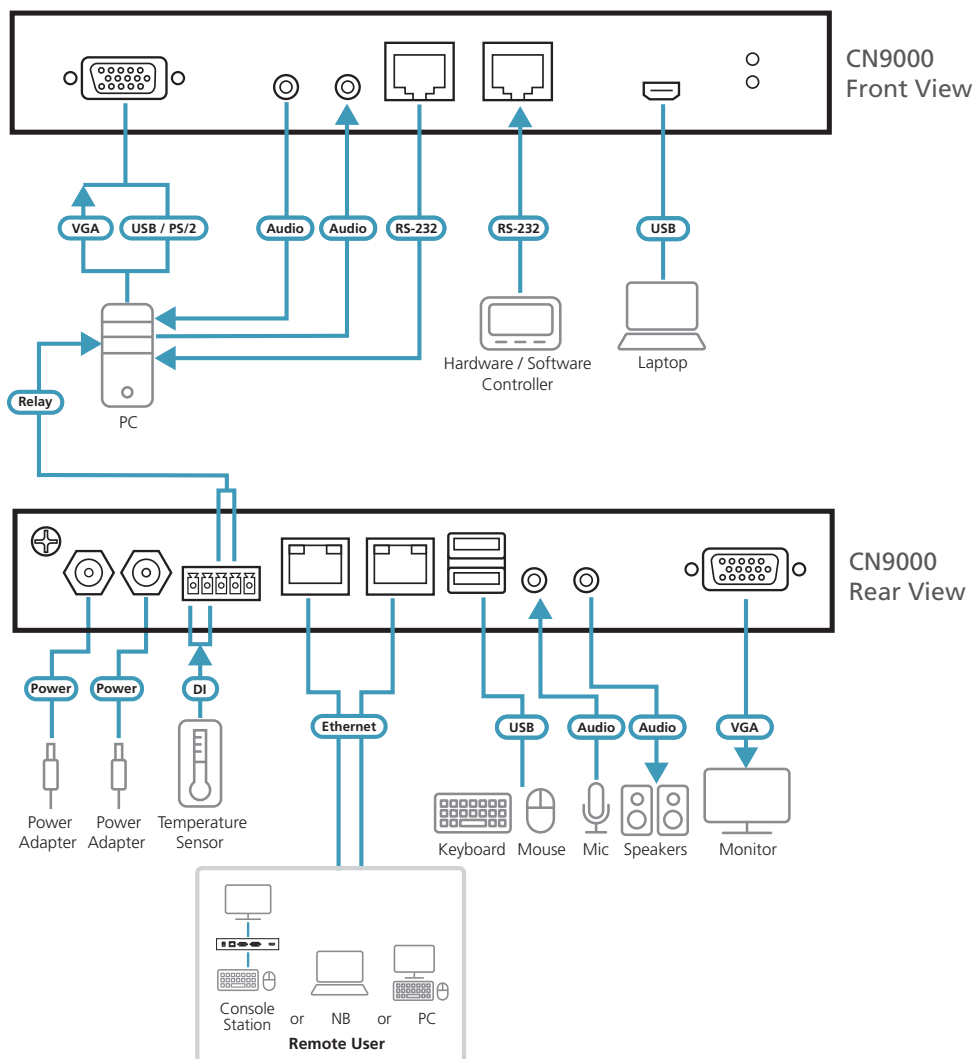
Virtual Media

- Virtual media enables file applications, OS patching, software installation, and diagnostic testing
- Works with USB-enabled servers at OS and BIOS level
- Supports USB 1.1 and USB 2.0 DVD / CD drives, USB mass storage devices, PC hard drives, folders, and ISO images

Virtual Remote Desktop

- Video quality and video tolerance can be adjusted to optimize data transfer speed; monochrome color depth, threshold, and noise settings can be adjusted for compression of the data bandwidth in low bandwidth situations
- Full-screen video display or scalable video display
- Message Board for communication among remote users
- On-screen keyboard with multi-language supports
- Mouse DynaSync™ — automatically synchronizes the local and remote mouse movements
- Supports Exit Macros
- BIOS-level access

Note: As more users connect to the device, the bandwidth allocated to each user decreases.



Specifications

CN9000	
Connectors	
Console Ports	2 x USB Type-A Female (White) 1 x VGA Female (Blue) 1 x Mini Stereo Jack Female (Green) 1 x Mini Stereo Jack Female (Pink)
KVM Ports	1 x SPHD Female (Yellow) 1 x Mini Stereo Jack Female (Green) 1 x Mini Stereo Jack Female (Pink)
LAN Ports	2 x RJ-45 Female
Virtual Media	1 x USB Mini-B Female
Power	2 x DC Jack
Serial	2 x RJ-45 Female
Control	1x PS/2 Female
Switches	
Reset	1 x Semi-recessed pushbutton (Black)
Emulation	
Keyboard / Mouse	USB, PS/2
LEDs	
Power	2 (Green)
Video	Local console - 1920 x 1200 @ 60 Hz Remote console - 1920 x 1200
Power Consumption	DC5V:7.46W
Environmental	
Operating Temperature	0 – 50 °C (CN9000) 0 – 40 °C (Power Adapter)
Storage Temperature	-20 – 60 °C
Humidity	0 – 80% RH, Non-condensing
Physical Properties	
Housing	Metal
Weight	0.86 kg
Dimensions (L x W x H)	20.00 x 15.41 x 2.85 cm

ATEN International Co., Ltd.

3F, No.125, Sec. 2, Datung Rd., Sijhih District., New Taipei City 221, Taiwan
 Phone: 886-2-8692-6789 Fax: 886-2-8692-6767
 www.aten.com E-mail: marketing@aten.com

Product information is subject to change without prior notice.

Released: 04/2025 V5.0

© Copyright 2025 ATEN® International Co. Ltd.
 ATEN and the ATEN logo are registered trademarks of ATEN International Co., Ltd.
 All rights reserved. All other trademarks are the property of their respective owners.

