

2-Port Video Splitter

VS92A / VS92A-MA

The VS92A is a video splitter that not only duplicates the video signal from any VGA, XGA, SVGA, UXGA, or multisync monitor to 2 outputs, but also boosts the video signal over a distance of up to 30 m. It is cascadable to support up to 8 displays while offering bandwidth up to 350 MHz. The VS92A is ideal for broadcasting and enhancing video information to the public, monitoring the work environments from safe locations, or offering superior video for company or classroom training.

The splitter also comes available in VS92A-MA version, which contains a VGA cable and mounting kit with screws in the package for secure rack installation.

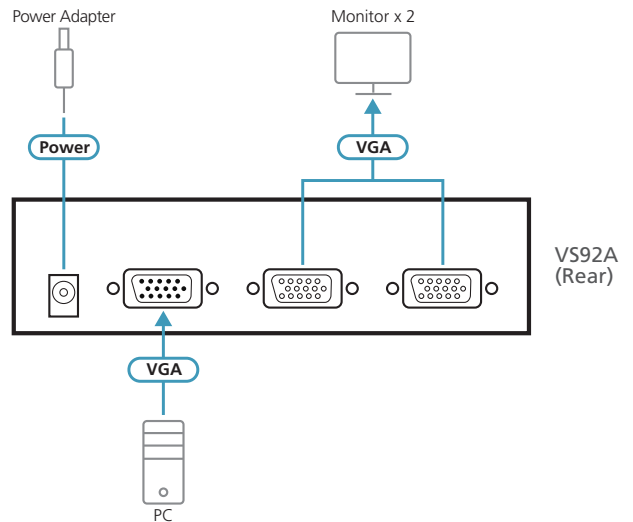


Features

- Splits one video input to 2 video outputs
- Cascadable to 3 levels - provides up to 8 video signals
- Supports 350 MHz bandwidth
- Long-distance transmission - up to 30m*
- Superior video quality - 1920 x 1440 @ 60 Hz
- DDC, DDC2, DDC2B compatible (Port 1 only)
- Supports VGA, XGA, SVGA, UXGA, WUXGA, and multisync monitors
- All-metal casing
- VS92A-MA version includes a VGA cable and mounting kit with screws for secure rack installation.



* Video content sent over very long distances using a VGA cable might result in slight degradation of the video signal and quality



Specifications

	VS92A / VS92A-MA
Video Input	
Interfaces	1 x HDB-15 Male (Blue)
Impedance	75 Ω
Max. Distance	1.8 m
Video Output	
Interfaces	2 x HDB-15 Female (Blue)
Impedance	75 Ω
Video	
Max. Bandwidth	350 MHz
Max. Resolution	Up to 1920 x 1440
Max. Distance	Up to 30 m
Power	
Connectors	1 x DC Jack
Consumption	9 VDC, 1.24 W
Environmental	
Operating Temperature	0 °C – 50 °C
Storage Temperature	-20 °C – 60 °C
Humidity	0 – 80% RH, Non-Condensing
Physical Properties	
Housing	Metal
Weight	0.42 kg
Dimensions (L x W x H)	13.00 x 7.51 x 4.40 cm

Product information is subject to change without prior notice.

Released: 04/2023 V1.0

© Copyright 2023 ATEN® International Co. Ltd.
 ATEN and the ATEN logo are registered trademarks of ATEN International Co., Ltd.
 All rights reserved. All other trademarks are the property of their respective owners.

